

Inline Ultrasonic Flow Meter

RUF200



Accuracy: $\pm 1\%$



Size upto 3000mm



Strong Anti-Interference



IP68 Protection Class

**Product
Datasheet**

ROCKSENSOR AT A GLANCE (ABOUT US)

Rocksensor is one of the global leaders specializing in Process Instrumentation, Research and Development and Designing of Industrial Automation Equipment. We provide highly precise pressure sensors and transmitters, flow metres, level transmitters and temperature transmitters with a prime focus to help our clients efficiently, safely and economically run complex industrial processes.

Rocksensor, headquartered in Switzerland, has its footprint in various geographical regions such as the US, Russia, South Korea, Italy, Germany, Singapore, Malaysia, Morocco, China, Taiwan, Australia, UAE, Brazil and India. Our clients come from some of the major industries such as Oil and Gas, Petrochemicals, Pharmaceuticals, FMCG, Automobiles, Water, Cement, Metal & Mining, and mainly from the Power Industry like Nuclear, Thermal, Hydro, and Solar.

Rocksensor deals in a wide range of highly accurate industrial automation instruments ensuring that even the complex industrial processes happen efficiently.

To fulfill the needs of our clients we make sure that our instruments work in even the harsh environmental conditions offering accurate recordings and communication.

We, at Rocksensor, believe in creating bonds that last a lifetime and create a success story for each and every client. Rocksensor aims to achieve a perfect fit in the global market landscape and establish our footprints across the globe.



CONTENTS

1. Introduction	4
2. Technical Specifications	4
3. Dimensions	4-5
a. Thread Connection (DN15 ~ DN32)	4
b. Flange Connection (DN15 ~ DN32)	5
c. Flange Connection (DN40 ~ DN1000)	5
4. Model Selection Table	6

KEY APPLICATION INDUSTRIES

- Oil and Gas sector
- Cement
- Metal
- Pulp and Paper
- Agriculture
- Textiles
- Chemicals
- Power
- Water
- Pharmaceutical
- Fertilizer
- Plastics and HVAC

1. Introduction

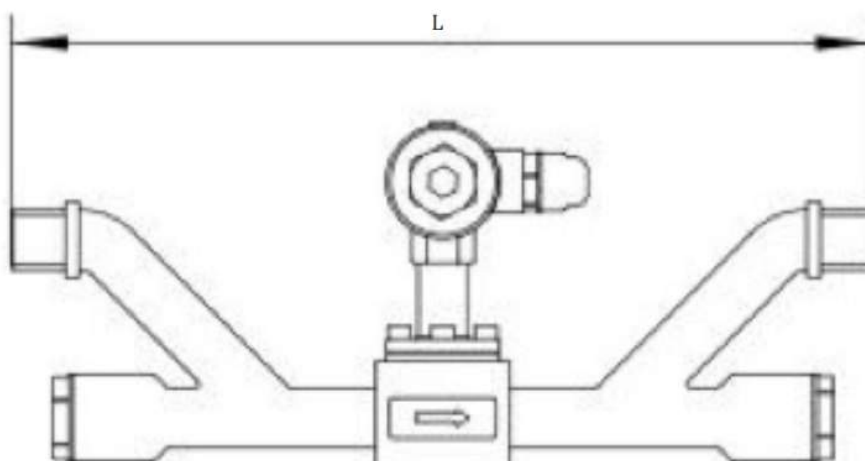
RUF200 series Inline ultrasonic flow meter can be virtually applied to a wide range of measurement. A variety of liquid applications can be accommodated: ultra-pure liquids, potable water, chemicals, raw sewage, reclaimed water, cooling water, river water, plant effluent etc.

2. Technical Specifications

Accuracy	±1%
Velocity Range	0 ~ ±10m/s
Pipe Size	DN15-DN3000mm
Liquid Temperature	(-)30 ~ 160°C
Liquid Type	Water, sea water, waste water, alcohol, beer, various kinds of oil etc which can conduct ultrasound single uniform liquid
Pipe Material	Steel, stainless steel, cast iron, copper, PVC, aluminum, FRP etc, all kinds of dense pipeline, can be liner inside
Output Signal	1 channel 4-20mA output, impedance 0-1K; 1 channel OCT pulse output 1 channel relay output
Input Signal	3 channels 4-20mA input, can be used as data collector Connect with three wire PT100, can achieve heat measurement
Communication	Isolated RS485, support MODBUS Protocol
Power Supply	DC24V or AC220V
Temperature	Main unit: (-)20 ~ 60°C; Sensor: (-)30 ~ 160°C
Protection	IP68
Power Consumption	1.5W

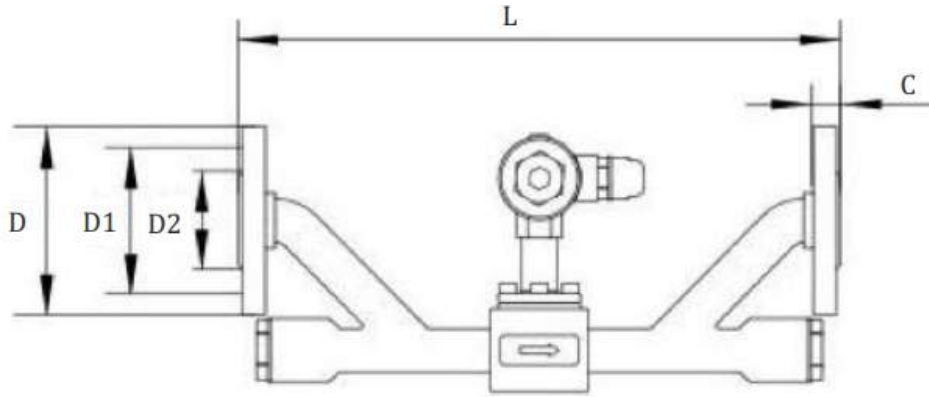
3. Dimensions

a. Thread Connection (DN15 ~ DN32)



Size (DN)	Pressure (Mpa)	L (mm)	Thread
DN15	2.5	320	G3/4B
DN20	2.5	360	G1B
DN25	2.5	390	G11/4B
DN32	2.5	450	G11/2B

b. Flange Connection (DN15 ~ DN32mm)

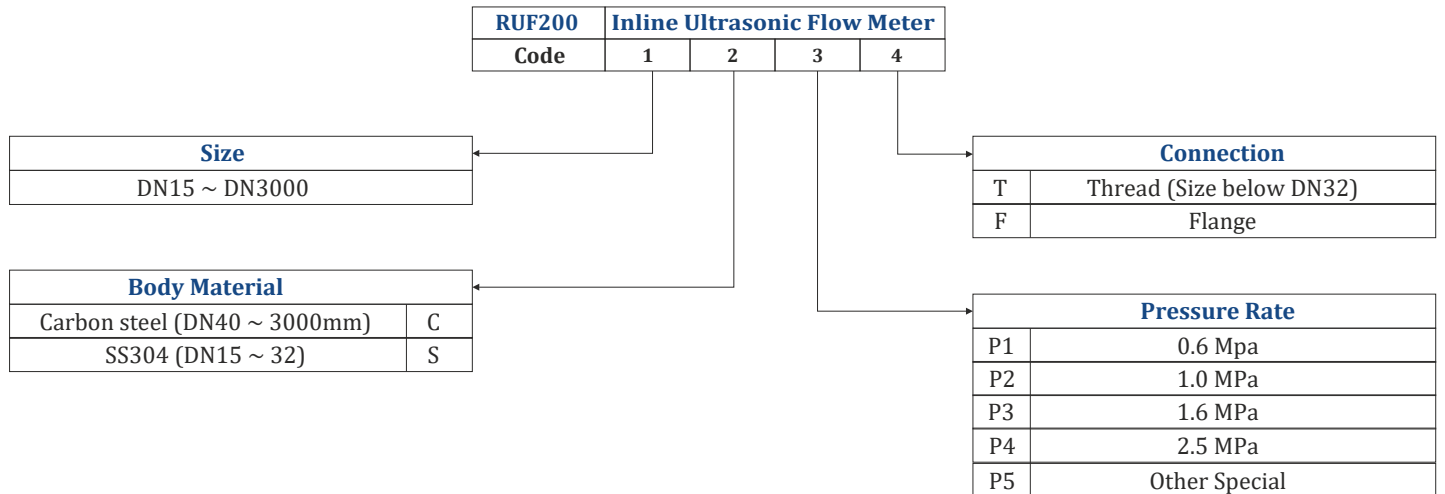


Size (DN)	Pressure (Mpa)	L (mm)	D	D1	*n	D2	C	f	Bolts
DN15	2.5	320	95	65	14*4	46	14	2	M12*50
DN20		360	105	75		56	16		
DN25		390	115	85		65	16		
DN32		450	140	100	18*4	76	18		

c. Flange Connection (DN40 ~ DN1000mm)

Size (DN)	Pressure (Mpa)	L (mm)	D	D1	*n	D2	C	f	Bolts
DN40	1.6	300	150	110	18*4	84	18	2	M16*60
DN50			165	125		99	20		M16*70
DN65			185	145		118	22		
DN80		225	200	160	18*8	132	20		M16*80
DN100		250	220	180		156	22		
DN125		275	250	210	184	24	M20*80		
DN150		300	285	240	22*8	211			24
DN200		350	350	295	22*12	266	26		M20*90
DN250		450	405	355	26*12	319	28		M22*90
DN300		500	460	410		370	32		
DN350	1.0	550	500	460	23*16	428	28	4	M20*80
DN400		600	565	515	25*16	482	30		M20*90
DN450		700	615	565	25*20	532	32		
DN500		800	670	620		585	32		
DN600	0.6	1000	780	725	30*20	685	36	5	M27*110
DN700		1100	860	810	25*24	775	32		M20*90
DN800		1200	975	920	30*24	880			34
DN900		1300	1075	1020		980			
DN1000		1400	1175	1120	30*28	1080	36		

4. Model Selection table



Example: RUF200-30CTP1

RUF200 - Inline Ultrasonic Flow Meter

30 - DN Size: DN30

C -Body Material: Carbon Steel

T - Connection: Thread

P1- Pressure Rate: 0.6MPa

Field Instrumentation Range



Pressure Measurement

- Smart Differential Pressure Transmitter
- Smart Gauge Pressure Transmitter
- Smart Absolute Pressure Transmitter
- Miniature Pressure Transducer without display
- Sanitary Gauge/ Absolute Pressure Transmitter

- Submersible Pressure Transmitter
- Remote Seal Differential P.T. with capillary
- Remote Seal Differential P.T. Direct Mount
- Remote Seal Gauge/Absolute P.T. with capillary
- Remote Seal Gauge/Absolute P.T. Direct Mount



Flow Measurement

- Coriolis Mass Flowmeter
- Thermal Gas Mass Flowmeter
- Positive Displacement Flowmeter
- Electromagnetic Flowmeter
- Vortex Flowmeter

- Turbine Flowmeter
- Variable Area Flowmeter
- Clamp On Ultrasonic Flowmeter
- Inline Ultrasonic Flowmeter
- Portable Ultrasonic Flowmeter



Level Measurement

- RADAR Level Transmitter Horn Antenna
- Compact RADAR Level Transmitter
- RADAR Level Transmitter Sanitary
- RADAR Level Transmitter
- Guided Wave RADAR Level Transmitter
- RADAR Level Transmitter Lens Antenna

- RADAR Level Transmitter Rod Antenna
- Ultrasonic Level Transmitter
- Microwave Barrier Level Switch
- Admittance Level Switch Series
- Vibrating Rod Level Switch Series
- Tuning Fork Level Switch Series



Temperature Measurement

- Head Mount Temperature Transmitter
- Temperature Transmitter for Sanitary Applications

- DIN Rail Temperature Transmitter
- Field Mount Temperature Transmitter

Rocksensor India Pvt. Ltd.

📍: B -36, Sector 67, Noida, Uttar Pradesh - 201301

For more details, contact us on:

☎ +91 928 948 8117 | +91 1204121469

✉: info@rocksensor.in

🌐: www.rocksensor.in

Global Offices

Global HQ & R&D Centre:
Rocksensor Sàrl, Switzerland

North America:
Rocksensor Automation LLC, USA

APAC:
Rocksensor Automation Co. Ltd., Shanghai

For more updates, follow us on:

in: [Rocksensor India](#)

▶: [Rocksensor](#)

f: [Rocksensor](#)

📷: [Rocksensor](#)

🐦: [Rocksensor India](#)